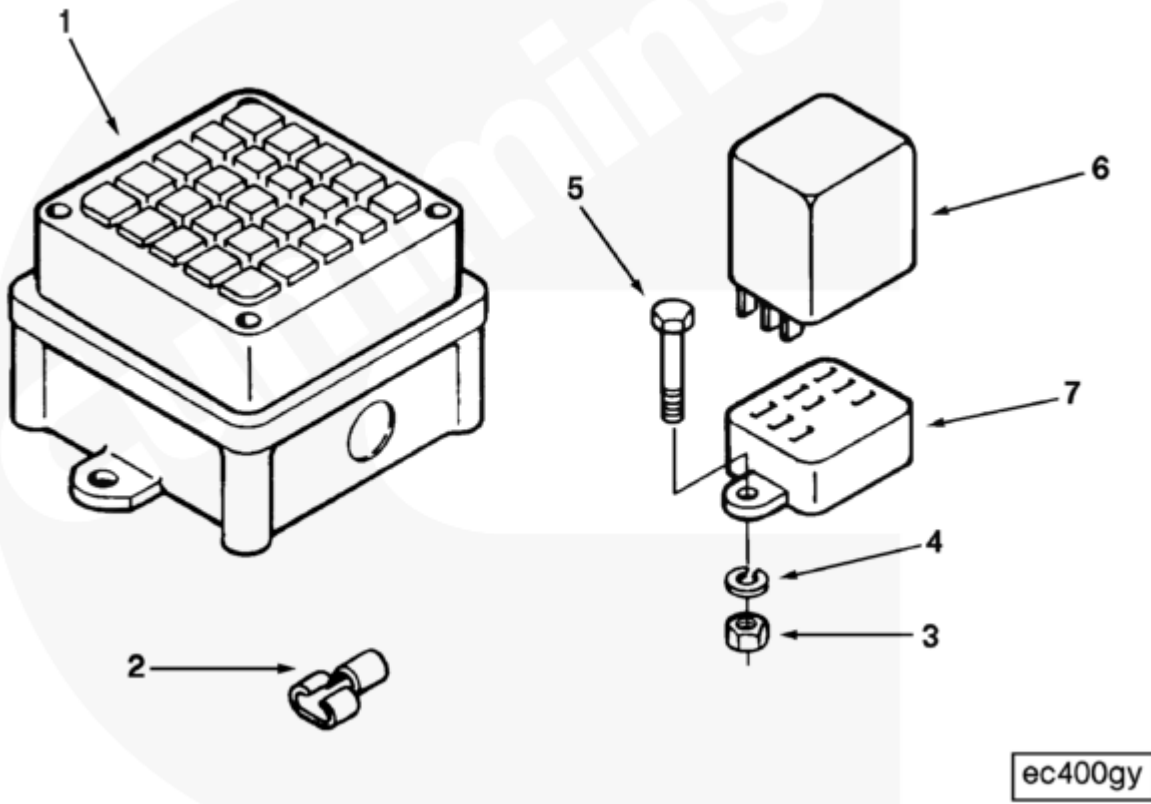




Parts Catalog - Option Detail

Electronic Parts Catalog - Option Detail				
Option	Group	Graphic	Film Card	Date
EC8023	15.03	ec400gy	F	15-AUG-95
Engines	NH/NT 855, NT495, NT743, NTA855 N106			

©Cummins Inc



SMALL | MEDIUM | LARGE

Cart	Ref No	Part Number	Part Description	Required	Remarks
View My Cart					
		EC8023	Safety Control		Alarm horn and relay to...(More)
					activate horn when warning
					lights are activated by
					safety control. Supplied in
					kit.
<input type="checkbox"/>	1	149806	Alarm	1	

<input type="checkbox"/>	2	3003997	Electrical Terminal	1	
<input type="checkbox"/>	3	S 215 A	Regular Hexagon Nut	2	#8 - 32 UNC
<input type="checkbox"/>	4	S 692	Lock Washer	2	#8
<input type="checkbox"/>	5	69504	Pan Head Cap Screw	2	#8 - 32 x 7/8 inch
<input type="checkbox"/>	6	216525	Relay	1	
<input type="checkbox"/>	7	216526	Electrical Connection	1	

© 2019 Cummins Inc., Box 3005, Columbus, IN 47202-3005 U.S.A.
Terms of Use and Disclaimers | Recommended System Requirements
Need Assistance? Please click on the Contact Us button in the top right corner of any page.